

RETRO INDUSTRIAL

Aluminum Shade
with Glass Options

Catalog #:

Project:

Type:

Date:

Notes:

Electrical

- 120V input (277V available in arm and post option only)
- Integrated power supply allows the fixture to be connected directly into line voltage
- Pre-wired and ready for install
- LED is dimmable with Incandescent/Triac dimmers

Mounting

- 1/2" IP for arm, ceiling flush mount, stem or post mount options
- 9' Pendant cord available in black or white cord (includes 5" canopy with the same finish as the shade)

Finishes

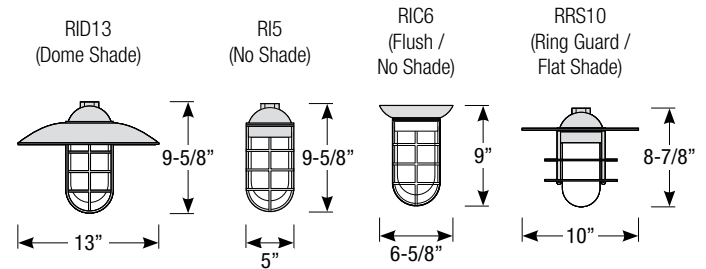
- Shade and mounting finish options
- Available in 21 standard and 2 specialty finishes with optional coastal coating to protect finish in coastal environments (add "-C" to the finish)
- Consult factory for custom finish options

Glass Type

- Each luminaire includes a glass enclosure, must specify glass type. Glass is available in clear (-CG), frosted (-FG) or opal (-OG)

Listing

UL listed to US and Canadian standards for wet locations



Retro Industrial Order Matrix (Example: RID13MRD-CG-2)

Shade Style	Lamp / LED	Finish	Coastal Coating Option	Glass Type	Mounting Type
RID13 (Dome Shade)	M (Medium Base, 100W max.)	ABL (Aegean Blue)	(blank) (No coating)	-CG (Clear Glass)	-2 (1/2" IP)
RI5 (No Shade)	GU2413¹ (13W GU24 / 2700K)	BB (Burnished Bronze)	-C² (Coating)	-FG (Frosted Glass)	-B (Black Cord Pendant)
RIC6 (Flush / No Shade)	GU2418¹ (18W GU24 / 2700K)	BK (Gloss Black)		-OG (Opal Glass)	-W (White Cord Pendant)
RRS10 (Ring Guard / Flat Shade)	GU2426¹ (26W GU24 / 2700K)	BLU (Blue)			-F (Flush Mount)
	GU2432¹ (32W GU24 / 2700K)	DVG (Dove Gray)			
	GU2442¹ (42W GU24 / 2700K)	FLG (Flannel Gray)			
	LED1127¹ (11W LED / 2700K / 90 CRI / 1188lm)	GA (Galvanized)			
	LED1130¹ (11W LED / 3000K / 90 CRI / 1265lm)	LG (Lime Green)			
	LED1135¹ (11W LED / 3500K / 90 CRI / 1305lm)	MB (Matte Black)			
	LED1140¹ (11W LED / 4000K / 90 CRI / 1364lm)	MBL (Midnight Blue)			
		PNA (Painted Natural Aluminum)			
		PNC (Painted Natural Copper)			
		RD (Red)			
		SA (Satin Aluminum)			
		SGR (Sage Green)			
		SGW (Semi Gloss White)			
		SND (Sand)			
		SS (Satin Silver)			
		TBZ (Textured Bronze)			
		TGP (Textured Graphite)			
		TNG (Tangerine)			
		TTL (Tahitian Teal)			
		TTL (Tahitian Teal)			
		WT (Gloss White)			

1. Lamp/LED included

2. Satin aluminum cannot be coated

KEY: Standard Finishes

ABL (Aegean Blue)	LG (Lime Green)	SGR (Sage Green)
BB (Burnished Bronze)	MB (Matte Black)	SGW (Semi Gloss White)
BK (Gloss Black)	MBL (Midnight Blue)	SND (Sand)
BLU (Blue)	PNA (Painted Natural Aluminum)	SS (Satin Silver)
DVG (Dove Gray)	PNC (Painted Natural Copper)	TBZ (Textured Bronze)
FLG (Flannel Gray)	RD (Red)	TGP (Textured Graphite)

Specialty Finishes

TNG (Tangerine)	GA (Galvanized)
TTL (Tahitian Teal)	SA (Satin Aluminum)
WT (Gloss White)	

Revised 06/01/2018



RETRO INDUSTRIAL

Aluminum Shade
with Glass Options

Catalog #:

Project:

Date:

Type:

Notes:

Arm Mount Order Matrix (Example: 2A24RD)

Pipe	Arm Type	Finish	Coastal Coating Option	Input Voltage	
2 (1/2" IP)	SL23 (Small Loop - 23")	ABL (Aegean Blue)	(blank) (No coating)	(blank) (120V)	
	SL30 (Small Loop - 30")	BB (Burnished Bronze)	-C ² (Coating)	-27 (277V)	
	LL23 (Large Loop - 23")	BK (Gloss Black)			
	LL30 (Large Loop - 30")	BLU (Blue)			
	LC18 (Curve Arm - 18")	DVG (Dove Gray)			
	LC24 (Curve Arm - 24")	FLG (Flannel Gray)			
	LC30 (Curve Arm - 30")	GA (Galvanized)			
	LM18 (Miter Arm - 18")	LG (Lime Green)			
	LM24 (Miter Arm - 24")	MB (Matte Black)			
	LM30 (Miter Arm - 30")	MBL (Midnight Blue)			
	SA18 (Sign Arm - 18")	PNA (Painted Natural Aluminum)			
	SA23 (Sign Arm - 23")	PNC (Painted Natural Copper)			
	LSA23 (Large Loop Sign Arm - 23")	RD (Red)			
	LSA30 (Large Loop Sign Arm - 30")	SA (Satin Aluminum)			
	A6 (Straight Arm - 6")	SGR (Sage Green)			
	A12 (Straight Arm - 12")	SGW (Semi Gloss White)			
	A18 (Straight Arm - 18")	SND (Sand)			
	A24 (Straight Arm - 24")	SS (Satin Silver)			
	A30 (Straight Arm - 30")	TBZ (Textured Bronze)			
	MA18 (Modern Arm - 18")	TGP (Textured Graphite)			
	MA24 (Modern Arm - 24")	TNG (Tangerine)			
	MA30 (Modern Arm - 30")	TTL (Tahitian Teal)			
			WT (Gloss White)		

Standard Finishes

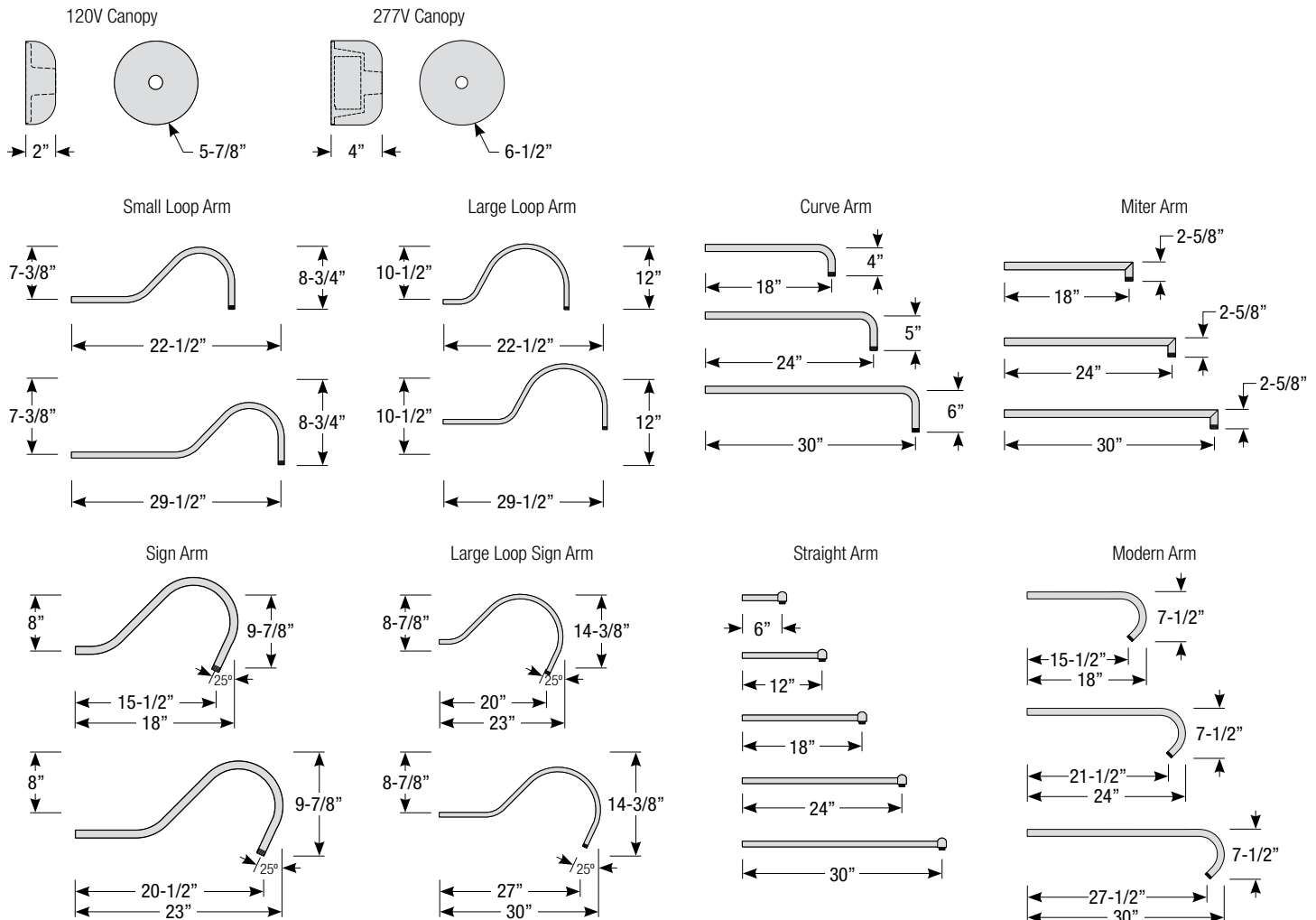
	ABL (Aegean Blue)		PNC (Painted Natural Copper)
	BB (Burnished Bronze)		RD (Red)
	BK (Gloss Black)		SGR (Sage Green)
	BLU (Blue)		SGW (Semi Gloss White)
	DVG (Dove Gray)		SND (Sand)
	FLG (Flannel Gray)		SS (Satin Silver)
	LG (Lime Green)		TBZ (Textured Bronze)
	MB (Matte Black)		TGP (Textured Graphite)
	MBL (Midnight Blue)		TNG (Tangerine)
	PNA (Painted Natural Aluminum)		TTL (Tahitian Teal)
			WT (Gloss White)

Specialty Finishes

	GA (Galvanized)		SA (Satin Aluminum)
--	------------------------	--	----------------------------

2. Satin aluminum cannot be coated

Note: All arm mounts include canopy



Revised 06/01/2018



RETRO INDUSTRIAL

Aluminum Shade
with Glass Options

Catalog #:

Project:

Date:

Type:

Notes:

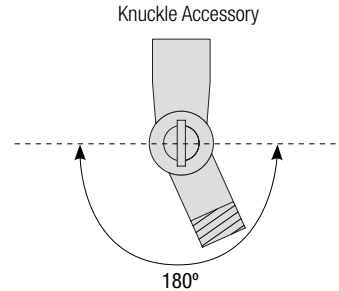
Knuckle Accessory Order Matrix (Example: 2KNLRD)

Pipe	Finish	Finish	Coastal Coating Option
2 (1/2" IP)	KNL (Adjustable 180° Knuckle for Arm Mounts)	ABL (Aegean Blue)	(blank) (No coating)
3 (3/4" IP)		BB (Burnished Bronze)	-C² (Coating)
		BK (Gloss Black)	
		BLU (Blue)	
		DVG (Dove Gray)	
		FLG (Flannel Gray)	
		GA (Galvanized)	
		LG (Lime Green)	
		MB (Matte Black)	
		MBL (Midnight Blue)	
		PNA (Painted Natural Aluminum)	
		PNC (Painted Natural Copper)	
		RD (Red)	
		SA (Satin Aluminum)	
		SGR (Sage Green)	
		SGW (Semi Gloss White)	
		SND (Sand)	
		SS (Satin Silver)	
		TBZ (Textured Bronze)	
		TGP (Textured Graphite)	
		TNG (Tangerine)	
		TTL (Tahitian Teal)	
		WT (Gloss White)	

2. Satin aluminum cannot be coated

Description

Adjustable knuckle for arm mounts that allow luminaire to be rotated up to 180°.



KEY: Standard Finishes

ABL (Aegean Blue)	LG (Lime Green)	SGR (Sage Green)
BB (Burnished Bronze)	MB (Matte Black)	SGW (Semi Gloss White)
BK (Gloss Black)	MBL (Midnight Blue)	SND (Sand)
BLU (Blue)	PNA (Painted Natural Aluminum)	SS (Satin Silver)
DVG (Dove Gray)	PNC (Painted Natural Copper)	TBZ (Textured Bronze)
FLG (Flannel Gray)	RD (Red)	TGP (Textured Graphite)

Specialty Finishes

TNG (Tangerine)	GA (Galvanized)
TTL (Tahitian Teal)	SA (Satin Aluminum)
WT (Gloss White)	

Revised 06/01/2018



RETRO INDUSTRIAL

Aluminum Shade
with Glass Options

Catalog #:

Project:

Date:

Type:

Notes:

Post / Wall Mount Order Matrix (Example: 2P1RD)



Pipe	Mount Type	Finish	Input Voltage
2 (1/2" IP)	P1 (Single Post Mount) P2 (Double Post Mount) W1 (Traditional Wall Mount)	ABL (Aegean Blue)	(blank) (120V)
		BB (Burnished Bronze)	-27 ³ (277V)
		BK (Gloss Black)	
	BLU (Blue)		
	DVG (Dove Gray)		
	FLG (Flannel Gray)		
	GA (Galvanized)		
	LG (Lime Green)		
	MB (Matte Black)		
	MBL (Midnight Blue)		
	PNA (Painted Natural Aluminum)		
	PNC (Painted Natural Copper)		
	RD (Red)		
	SA (Satin Aluminum)		
	SGR (Sage Green)		
	SGW (Semi Gloss White)		
	SND (Sand)		
SS (Satin Silver)			
TBZ (Textured Bronze)			
TGP (Textured Graphite)			
TNG (Tangerine)			
TTL (Tahitian Teal)			
WT (Gloss White)			

3. Post mount only

Post Type Order Matrix (Example: P8683-96RD)

Post Type	Finish
PM4946 (Cast Aluminum Post)	ABL (Aegean Blue)
P8683-96 (Cast Aluminum Base w/ 96" Aluminum Post)	BB (Burnished Bronze)
P8683-120 (Cast Aluminum Base w/ 120" Aluminum Post)	BK (Gloss Black)
P8684-96 (96" Straight Aluminum Post)	BLU (Blue)
P8684-120 (120" Straight Aluminum Post)	DVG (Dove Gray)
PM8685 (Cast Aluminum Pier Mount - must be used with straight aluminum post, P8683)	FLG (Flannel Gray)
	GA (Galvanized)
	LG (Lime Green)
	MB (Matte Black)
	MBL (Midnight Blue)
	PNA (Painted Natural Aluminum)
	PNC (Painted Natural Copper)
	RD (Red)
	SA (Satin Aluminum)
	SGR (Sage Green)
	SGW (Semi Gloss White)
	SND (Sand)
	SS (Satin Silver)
	TBZ (Textured Bronze)
	TGP (Textured Graphite)
	TNG (Tangerine)
	TTL (Tahitian Teal)
	WT (Gloss White)

Standard Finishes

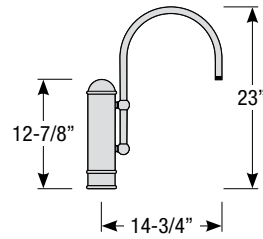
 ABL (Aegean Blue)	 PNC (Painted Natural Copper)
 BB (Burnished Bronze)	 RD (Red)
 BK (Gloss Black)	 SGR (Sage Green)
 BLU (Blue)	 SGW (Semi Gloss White)
 DVG (Dove Gray)	 SND (Sand)
 FLG (Flannel Gray)	 SS (Satin Silver)
 LG (Lime Green)	 TBZ (Textured Bronze)
 MB (Matte Black)	 TGP (Textured Graphite)
 MBL (Midnight Blue)	 TNG (Tangerine)
 PNA (Painted Natural Aluminum)	 TTL (Tahitian Teal)
 WT (Gloss White)	 SA (Satin Aluminum)

Specialty Finishes

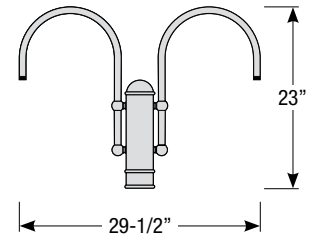
 GA (Galvanized)	 SA (Satin Aluminum)
---	---

Revised 06/01/2018

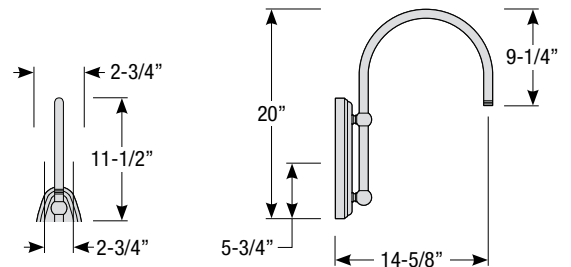
Single Post Mount



Double Post Mount

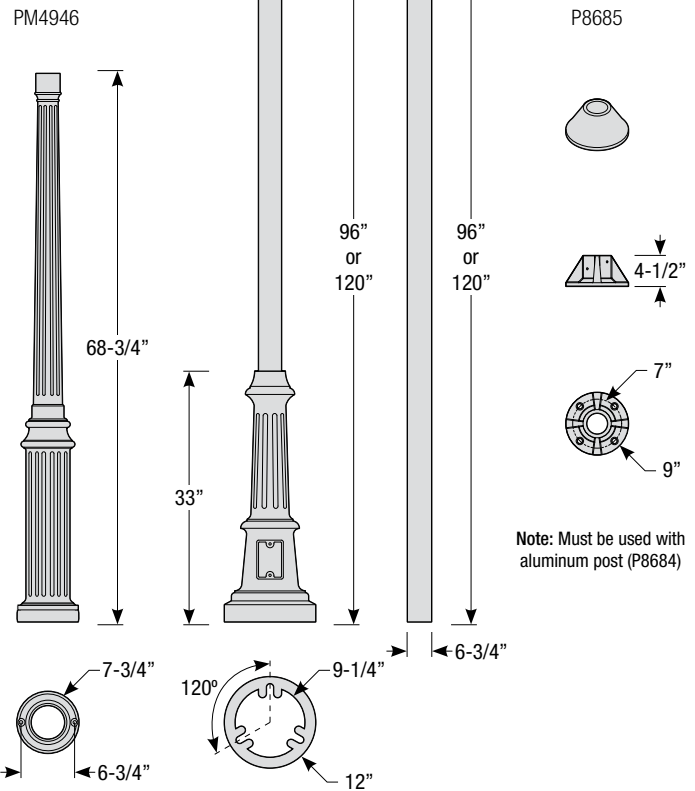


Traditional Wall Mount



P8683

P8684



Note: Must be used with aluminum post (P8684)



RETRO INDUSTRIAL

Aluminum Shade
with Glass Options

Catalog #:

Project:

Date:

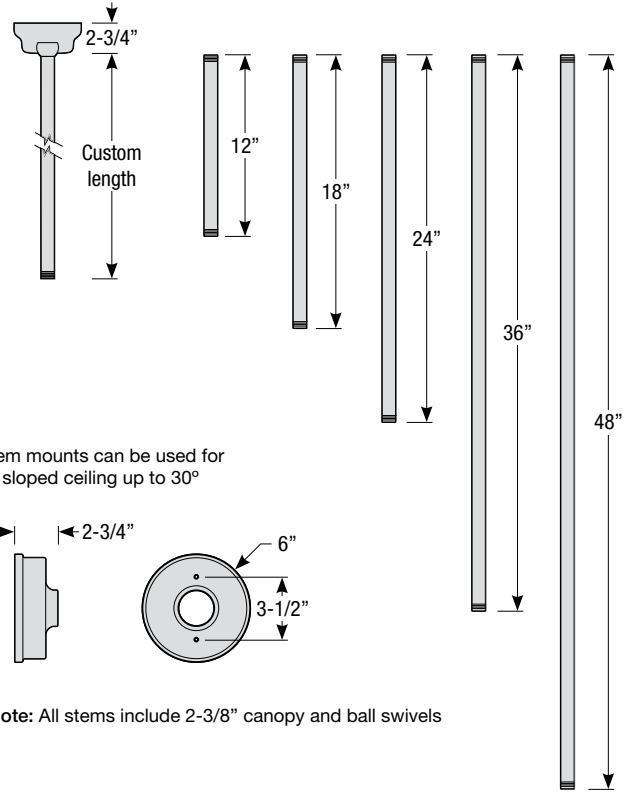
Type:

Notes:

Stem Mount Order Matrix (Example: 2HS18RD)

Pipe	Stem Length	Finish	Coastal Coating Option
2 (1/2" IP)	HS12 (12")	ABL (Aegean Blue)	(blank) (No coating)
	HS18 (18")	BB (Burnished Bronze)	-C ² (Coating)
	HS24 (24")	BK (Gloss Black)	
	HS36 (36")	BLU (Blue)	
	HS48 (48")	DVG (Dove Gray)	
	HS_ (Custom length from 2" up to 60")	FLG (Flannel Gray)	
		GA (Galvanized)	
		LG (Lime Green)	
		MB (Matte Black)	
		MBL (Midnight Blue)	
		PNA (Painted Natural Aluminum)	
		PNC (Painted Natural Copper)	
		RD (Red)	
		SA (Satin Aluminum)	
		SGR (Sage Green)	
		SGW (Semi Gloss White)	
	SND (Sand)		
	SS (Satin Silver)		
	TBZ (Textured Bronze)		
	TGP (Textured Graphite)		
	TNG (Tangerine)		
	TTL (Tahitian Teal)		
	WT (Gloss White)		

2. Satin aluminum cannot be coated



Stem mounts can be used for sloped ceiling up to 30°

Note: All stems include 2-3/8" canopy and ball swivels

KEY: Standard Finishes

ABL (Aegean Blue)	LG (Lime Green)	SGR (Sage Green)
BB (Burnished Bronze)	MB (Matte Black)	SGW (Semi Gloss White)
BK (Gloss Black)	MBL (Midnight Blue)	SND (Sand)
BLU (Blue)	PNA (Painted Natural Aluminum)	SS (Satin Silver)
DVG (Dove Gray)	PNC (Painted Natural Copper)	TBZ (Textured Bronze)
FLG (Flannel Gray)	RD (Red)	TGP (Textured Graphite)

Specialty Finishes

TNG (Tangerine)	GA (Galvanized)
TTL (Tahitian Teal)	SA (Satin Aluminum)
WT (Gloss White)	

Revised 06/01/2018

