

# RDX

Aluminum Shade with Casted Aluminum Top with Glass and Guard Options

RDX18, RDX20

PROJECT: \_\_\_\_\_

SPEC-00037

UPDATED 02/16/2021

NOTE: \_\_\_\_\_

## ELECTRICAL

- 120V input (277V available in arm and post option only)
- Integrated power supply allows the fixture to be connected directly into line voltage
- Pre-wired and ready for install
- LED is dimmable with Incandescent/Triac dimmers

## MOUNTING

- ½" or ¾" IP for arms. Flush mount, stems and post available only in ½"
- 9' Pendant cord available in black or white cord (includes 5" canopy with the same finish as the shade)

## FINISHES

- Two toned shade and top option
- Available in 22 standard and 1 specialty finishes with optional coastal coating to protect finish in coastal environments (add "-C" to the finish)
- Inner shade is painted gloss white
- Consult factory for custom finish options

## OPTIONAL ACCESSORIES

Glass or Cast Guard options available

## LISTING

UL listed to US and Canadian standards for wet locations



RDX ORDER MATRIX (EXAMPLE: RDX18LED3627ABLSS-3)

Diameter	Lamp / LED	Shade Finish	Top Finish	Coastal Coating	Accessories	Mounting Type
<b>RDX18</b> (18")	<b>M</b> (Medium Base, 100W max.)	<b>ABL</b> Aegean Blue)	<b>ABL</b>	(blank) (No Coating)	(blank) (No Accessories)	<b>-2</b> (½" IP)
<b>RDX20</b> (20")	<b>LED1227</b> <sup>1,2,3</sup> (12W LED, 2700K, 90 CRI, 844lm)	<b>BB</b> (Burnished Bronze)	<b>BB</b>	<b>-C</b> (Coating)	<b>-CG</b> (Clear Glass)	<b>-3</b> (¾" IP)
	<b>LED1230</b> <sup>1,2,3</sup> (12W LED, 3000K, 90 CRI, 861lm)	<b>BK</b> (Gloss Black)	<b>BK</b>		<b>-FG</b> (Frosted Glass)	<b>-B</b> (Black Cord Pendant)
	<b>LED1235</b> <sup>1,2,3</sup> (12W LED, 3500K, 90 CRI, 872lm)	<b>BLU</b> (Blue)	<b>BLU</b>		<b>-OG</b> (Opal Glass)	<b>-W</b> (White Cord Pendant)
	<b>LED1240</b> <sup>1,2,3</sup> (12W LED, 4000K, 90 CRI, 889lm)	<b>DVG</b> (Dove Gray)	<b>DVG</b>		<b>-CGG</b> (Clear Glass w/ Cast Guard)	<b>-F</b> (Flush Mount)
	<b>LED1827</b> <sup>1,2,3</sup> (18W LED, 2700K, 90 CRI, 1265lm)	<b>FLG</b> (Flannel Gray)	<b>FLG</b>		<b>-FGG</b> (Frosted Glass w/ Cast Guard)	
	<b>LED1830</b> <sup>1,2,3</sup> (18W LED, 3000K, 90 CRI, 1288lm)	<b>GA</b> (Galvanized)	<b>GA</b>		<b>-OGG</b> (Opal Glass w/ Cast Guard)	
	<b>LED1835</b> <sup>1,2,3</sup> (18W LED, 3500K, 90 CRI, 1311lm)	<b>LG</b> (Lime Green)	<b>LG</b>			
	<b>LED1840</b> <sup>1,2,3</sup> (18W LED, 4000K, 90 CRI, 1334lm)	<b>MB</b> (Matte Black)	<b>MB</b>			
	<b>LED2427</b> <sup>1,2,3</sup> (24W LED, 2700K, 90 CRI, 1485lm)	<b>MBL</b> (Midnight Blue)	<b>MBL</b>			
	<b>LED2430</b> <sup>1,2,3</sup> (24W LED, 3000K, 90 CRI, 1510lm)	<b>PNA</b> (Painted Natural Aluminum)	<b>PNA</b>			
	<b>LED2435</b> <sup>1,2,3</sup> (24W LED, 3500K, 90 CRI, 1535lm)	<b>PNC</b> (Painted Natural Copper)	<b>PNC</b>			
	<b>LED2440</b> <sup>1,2,3</sup> (24W LED, 4000K, 90 CRI, 1560lm)	<b>RD</b> (Red)	<b>RD</b>			
	<b>LED3627</b> <sup>1,2,3</sup> (36W LED, 2700K, 90 CRI, 2230lm)	<b>SGR</b> (Sage Green)	<b>SGR</b>			
	<b>LED3630</b> <sup>1,2,3</sup> (36W LED, 3000K, 90 CRI, 2265lm)	<b>SGW</b> (Semi Gloss White)	<b>SGW</b>			
	<b>LED3635</b> <sup>1,2,3</sup> (36W LED, 3500K, 90 CRI, 2300lm)	<b>SND</b> (Sand)	<b>SND</b>			
	<b>LED3640</b> <sup>1,2,3</sup> (36W LED, 4000K, 90 CRI, 2340lm)	<b>SS</b> (Satin Silver)	<b>SS</b>			
		<b>TBZ</b> (Textured Bronze)	<b>TBZ</b>			
		<b>TGP</b> (Textured Graphite)	<b>TGP</b>			
		<b>TNG</b> (Tangerine)	<b>TNG</b>			
		<b>TTL</b> (Tahitian Teal)	<b>TTL</b>			
		<b>WT</b> (Gloss White)	<b>WT</b>			
		<b>YEL</b> (Yellow)	<b>YEL</b>			

1. Lamps must be specified, and are not included in shade cost
2. Glass enclosure must be specified
3. Lumen are raw LED value

## STANDARD FINISHES

<b>ABL</b> (Aegean Blue)	<b>FLG</b> (Flannel Gray)	<b>PNC</b> (Painted Natural Copper)	<b>SS</b> (Satin Silver)	<b>WT</b> (Gloss White)
<b>BB</b> (Burnished Bronze)	<b>LG</b> (Lime Green)	<b>RD</b> (Red)	<b>TBZ</b> (Textured Bronze)	<b>YEL</b> (Yellow)
<b>BK</b> (Gloss Black)	<b>MB</b> (Matte Black)	<b>SGR</b> (Sage Green)	<b>TGP</b> (Textured Graphite)	
<b>BLU</b> (Blue)	<b>MBL</b> (Midnight Blue)	<b>SGW</b> (Semi Gloss White)	<b>TNG</b> (Tangerine)	<b>SPECIALTY FINISHES</b>
<b>DVG</b> (Dove Gray)	<b>PNA</b> (Painted Natural Aluminum)	<b>SND</b> (Sand)	<b>TTL</b> (Tahitian Teal)	<b>GA</b> (Galvanized)



# RDX

Aluminum Shade with Casted Aluminum Top  
with Glass and Guard Options

RDX18, RDX20

SPEC-00037

UPDATED 02/16/2021

PROJECT: \_\_\_\_\_

NOTE: \_\_\_\_\_

## GLASS AND GUARD OPTIONS

Optional

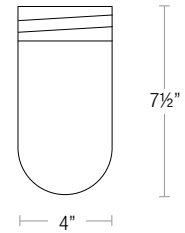
### GLASS ENCLOSURE

- Glass is available in clear (-CG), frosted (-FG) or opal (-OG)

**-CG** (Clear Glass Enclosure)

**-FG** (Frosted Glass Enclosure)

**-OG** (Opal Glass Enclosure)



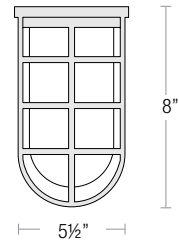
### CAST GUARD WITH GLASS ENCLOSURE

- Cast guard can be specified in all standard and specialized finishes, and will match shade finish unless otherwise specified (Note: For galvanized shade finishes, cast guard is unfinished Raw Aluminum)
- Glass is available in clear (-CGG), frosted (-FGG) or opal (-OGG)

**-CGG** (Clear Glass w/ Cast Guard)

**-FGG** (Frosted Glass w/ Cast Guard)

**-OGG** (Opal Glass w/ Cast Guard)



# RDX

Aluminum Shade with Casted Aluminum Top with Glass and Guard Options

RDX18, RDX20

PROJECT: \_\_\_\_\_

SPEC-00037

UPDATED 02/16/2021

NOTE: \_\_\_\_\_

## ARM MOUNT ORDER MATRIX (EXAMPLE: 3SL23SS)

Pipe Size	Arm Type	Finish	Coastal Coating	Input Voltage
2 (½" IP)	<b>SL23</b> (Small Loop - 23")	<b>ABL</b> Aegean Blue	(blank) (No coating)	(blank) (120V)
	<b>SL30</b> (Small Loop - 30")	<b>BB</b> (Burnished Bronze)	<b>-C</b> (Coating)	<b>-27</b> (277V)
3 (¾" IP)	<b>LL23</b> (Large Loop - 23")	<b>BK</b> (Gloss Black)		
	<b>LL30</b> (Large Loop - 30")	<b>BLU</b> (Blue)		
	<b>LC18</b> (Curve Arm - 18")	<b>DVG</b> (Dove Gray)		
	<b>LC24</b> (Curve Arm - 24")	<b>FLG</b> (Flannel Gray)		
	<b>LC30</b> (Curve Arm - 30")	<b>GA</b> (Galvanized)		
	<b>LM18</b> (Miter Arm - 18")	<b>LG</b> (Lime Green)		
	<b>LM24</b> (Miter Arm - 24")	<b>MB</b> (Matte Black)		
	<b>LM30</b> (Miter Arm - 30")	<b>MBL</b> (Midnight Blue)		
	<b>SA18</b> (Sign Arm - 18")	<b>PNA</b> (Painted Natural Aluminum)		
	<b>SA23</b> (Sign Arm - 23")	<b>PNC</b> (Painted Natural Copper)		
	<b>LSA23</b> (Large Loop Sign Arm - 23")	<b>RD</b> (Red)		
	<b>LSA30</b> (Large Loop Sign Arm - 30")	<b>SGR</b> (Sage Green)		
	<b>A6</b> (Straight Arm - 6")	<b>SGW</b> (Semi Gloss White)		
	<b>A12</b> (Straight Arm - 12")	<b>SND</b> (Sand)		
	<b>A18</b> (Straight Arm - 18")	<b>SS</b> (Satin Silver)		
	<b>A24</b> (Straight Arm - 24")	<b>TBZ</b> (Textured Bronze)		
	<b>A30</b> (Straight Arm - 30")	<b>TGP</b> (Textured Graphite)		
	<b>MA18</b> (Modern Arm - 18")	<b>TNG</b> (Tangerine)		
	<b>MA24</b> (Modern Arm - 24")	<b>TTL</b> (Tahitian Teal)		
	<b>MA30</b> (Modern Arm - 30")	<b>WT</b> (Gloss White)		
		<b>YEL</b> (Yellow)		

## STANDARD FINISHES

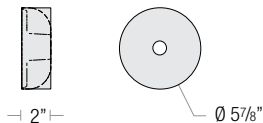
- **ABL** (Aegean Blue)
- **BB** (Burnished Bronze)
- **BK** (Gloss Black)
- **BLU** (Blue)
- **DVG** (Dove Gray)
- **FLG** (Flannel Gray)
- **LG** (Lime Green)
- **MB** (Matte Black)
- **MBL** (Midnight Blue)
- **PNA** (Painted Natural Aluminum)
- **PNC** (Painted Natural Copper)
- **RD** (Red)
- **SGR** (Sage Green)
- SGW** (Semi Gloss White)
- **SND** (Sand)
- **SS** (Satin Silver)
- **TBZ** (Textured Bronze)
- **TGP** (Textured Graphite)
- **TNG** (Tangerine)
- **TTL** (Tahitian Teal)
- WT** (Gloss White)
- **YEL** (Yellow)

## SPECIALTY FINISHES

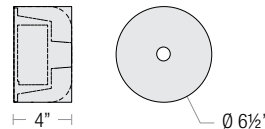
- **GA** (Galvanized)

Note: All arm mounts include canopy

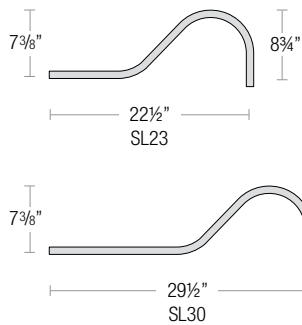
### 120V CANOPY



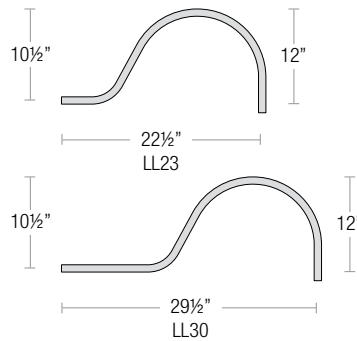
### 277V CANOPY



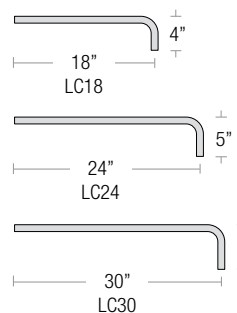
### SMALL LOOP ARM



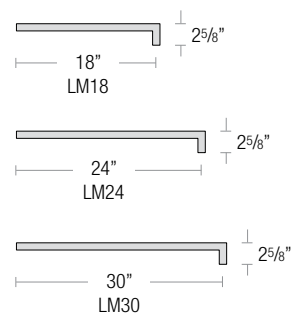
### LARGE LOOP ARM



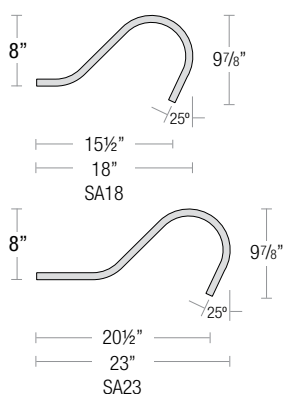
### CURVE ARM



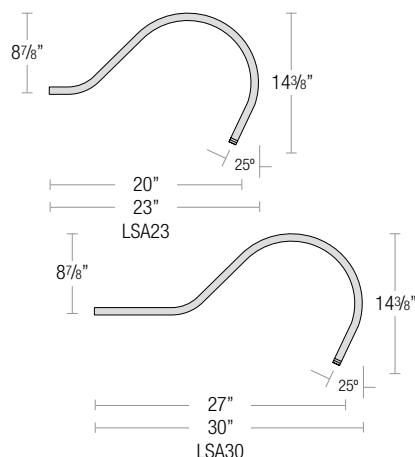
### MITER ARM



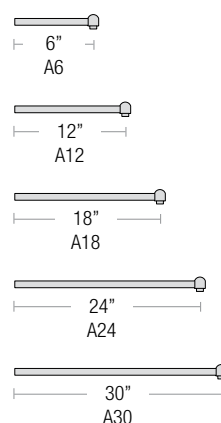
### SIGN ARM



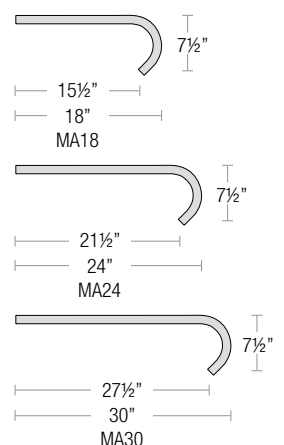
### LARGE LOOP SIGN ARM



### STRAIGHT ARM



### MODERN ARM



# RDX

Aluminum Shade with Casted Aluminum Top with Glass and Guard Options

RDX18, RDX20

PROJECT: \_\_\_\_\_

SPEC-00037

UPDATED 02/16/2021

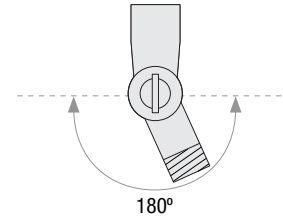
NOTE: \_\_\_\_\_

## KNUCKLE ACCESSORY ORDER MATRIX (EXAMPLE: 2KNLSS)

Pipe Size	Knuckle	Finish	Coastal Coating
2 (½" IP)	KNL (Adjustable 180° Knuckle for Arm Mounts)	ABL (Aegean Blue)	(blank) (No Coating)
3 (¾" IP)		BB (Burnished Bronze)	-C (Coating)
		BK (Gloss Black)	
		BLU (Blue)	
		DVG (Dove Gray)	
		FLG (Flannel Gray)	
		GA (Galvanized)	
		LG (Lime Green)	
		MB (Matte Black)	
		MBL (Midnight Blue)	
		PNA (Painted Natural Aluminum)	
		PNC (Painted Natural Copper)	
		RD (Red)	
		SGR (Sage Green)	
		SGW (Semi Gloss White)	
		SND (Sand)	
		SS (Satin Silver)	
		TBZ (Textured Bronze)	
		TGP (Textured Graphite)	
		TNG (Tangerine)	
		TTL (Tahitian Teal)	
		WT (Gloss White)	
		YEL (Yellow)	

### KNUCKLE ACCESSORY

Adjustable knuckle for arm mounts that allow luminaire to be rotated up to 180°.



### STANDARD FINISHES

ABL (Aegean Blue)	FLG (Flannel Gray)	PNC (Painted Natural Copper)	SS (Satin Silver)	WT (Gloss White)
BB (Burnished Bronze)	LG (Lime Green)	RD (Red)	TBZ (Textured Bronze)	YEL (Yellow)
BK (Gloss Black)	MB (Matte Black)	SGR (Sage Green)	TGP (Textured Graphite)	
BLU (Blue)	MBL (Midnight Blue)	SGW (Semi Gloss White)	TNG (Tangerine)	
DVG (Dove Gray)	PNA (Painted Natural Aluminum)	SND (Sand)	TTL (Tahitian Teal)	

### SPECIALTY FINISHES

GA (Galvanized)

# RDX

Aluminum Shade with Casted Aluminum Top with Glass and Guard Options

RDX18, RDX20

PROJECT: \_\_\_\_\_

SPEC-00037

UPDATED 02/16/2021

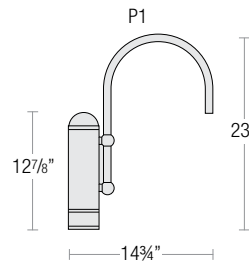
NOTE: \_\_\_\_\_

## POST / WALL MOUNT ORDER MATRIX (EXAMPLE: 2W1SS)

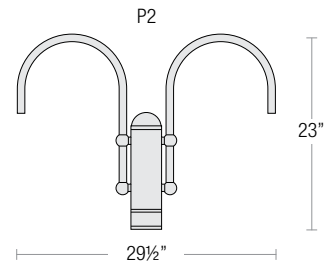
Pipe Size	Mount Type	Finish	Input Voltage
2 (½" IP)	P1 (Single Post Mount)	ABL (Aegean Blue)	(blank) (120V)
		BB (Burnished Bronze)	-27* (277V)
	P2 (Double Post Mount)	BK (Gloss Black)	
		BLU (Blue)	
	W1 (Traditional Wall Mount)	DVG (Dove Gray)	
		FLG (Flannel Gray)	
		GA (Galvanized)	
		LG (Lime Green)	
		MB (Matte Black)	
		MBL (Midnight Blue)	
		PNA (Painted Natural Aluminum)	
		PNC (Painted Natural Copper)	
		RD (Red)	
SGR (Sage Green)			
SGW (Semi Gloss White)			
SND (Sand)			
SS (Satin Silver)			
TBZ (Textured Bronze)			
TGP (Textured Graphite)			
TNG (Tangerine)			
TTL (Tahitian Teal)			
WT (Gloss White)			
YEL (Yellow)			

4. Post mount only

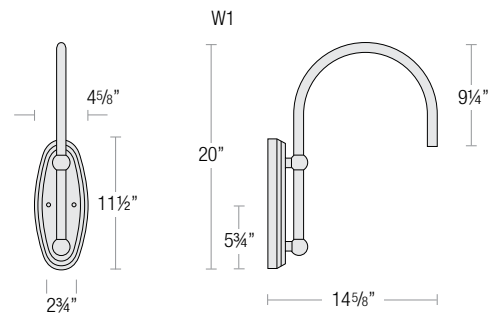
## SINGLE POST MOUNT



## DOUBLE POST MOUNT

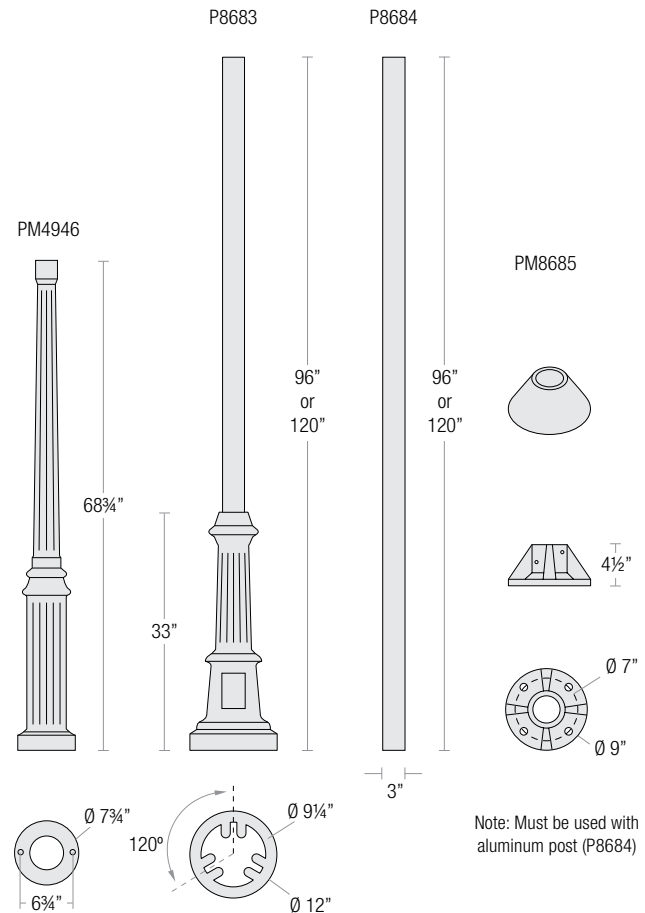


## TRADITIONAL WALL MOUNT



## POST TYPE ORDER MATRIX (EXAMPLE: P8683-96SS)

Post Type	Finish
PM4946 (Cast Aluminum Post)	ABL (Aegean Blue)
P8683-96 (Cast Aluminum Base w/ 96" Aluminum Post)	BB (Burnished Bronze)
	BK (Gloss Black)
P8683-120 (Cast Aluminum Base w/ 120" Aluminum Post)	BLU (Blue)
	DVG (Dove Gray)
P8684-96 (96" Straight Aluminum Post)	FLG (Flannel Gray)
P8684-120 (120" Straight Aluminum Post)	GA (Galvanized)
	LG (Lime Green)
PM8685 (Cast Aluminum Pier Mount - must be used with straight aluminum post, P8638)	MB (Matte Black)
	MBL (Midnight Blue)
	PNA (Painted Natural Aluminum)
	PNC (Painted Natural Copper)
	RD (Red)
	SGR (Sage Green)
	SGW (Semi Gloss White)
	SND (Sand)
	SS (Satin Silver)
	TBZ (Textured Bronze)
	TGP (Textured Graphite)
	TNG (Tangerine)
	TTL (Tahitian Teal)
WT (Gloss White)	
YEL (Yellow)	



## STANDARD FINISHES

- ABL (Aegean Blue)
- MBL (Midnight Blue)
- TBZ (Textured Bronze)
- BB (Burnished Bronze)
- PNA (Painted Natural Aluminum)
- TGP (Textured Graphite)
- BK (Gloss Black)
- PNC (Painted Natural Copper)
- TNG (Tangerine)
- BLU (Blue)
- RD (Red)
- TTL (Tahitian Teal)
- DVG (Dove Gray)
- SGR (Sage Green)
- WT (Gloss White)
- FLG (Flannel Gray)
- SGW (Semi Gloss White)
- YEL (Yellow)
- LG (Lime Green)
- SND (Sand)
- GA (Galvanized)
- MB (Matte Black)
- SS (Satin Silver)

## SPECIALTY FINISHES



# RDX

Aluminum Shade with Casted Aluminum Top with Glass and Guard Options

RDX18, RDX20

PROJECT: \_\_\_\_\_

SPEC-00037

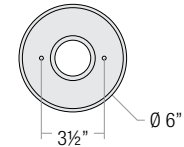
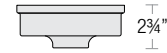
UPDATED 02/16/2021

NOTE: \_\_\_\_\_

## STEM MOUNT ORDER MATRIX (EXAMPLE: 2HS18SS)

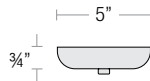
Pipe Size	Stem Length	Finish	Coastal Coating
2 (½" IP)	HS12 (12")	ABL (Aegean Blue)	(blank) (No Coating)
	HS18 (18")	BB (Burnished Bronze)	-C (Coating)
	HS24 (24")	BK (Gloss Black)	
	HS36 (36")	BLU (Blue)	
	HS48 (48")	DVG (Dove Gray)	
	HS__ (Custom length from 2" up to 60")	FLG (Flannel Gray)	
		GA (Galvanized)	
		LG (Lime Green)	
		MB (Matte Black)	
		MBL (Midnight Blue)	
		PNA (Painted Natural Aluminum)	
		PNC (Painted Natural Copper)	
		RD (Red)	
		SGR (Sage Green)	
		SGW (Semi Gloss White)	
		SND (Sand)	
		SS (Satin Silver)	
	TBZ (Textured Bronze)		
	TGP (Textured Graphite)		
	TNG (Tangerine)		
	TTL (Tahitian Teal)		
	WT (Gloss White)		
	YEL (Yellow)		

Stem mounts can be used for sloped ceiling up to 30°

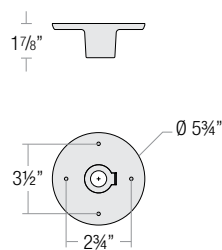


Note: All stems include 2 3/8" canopy and ball swivels

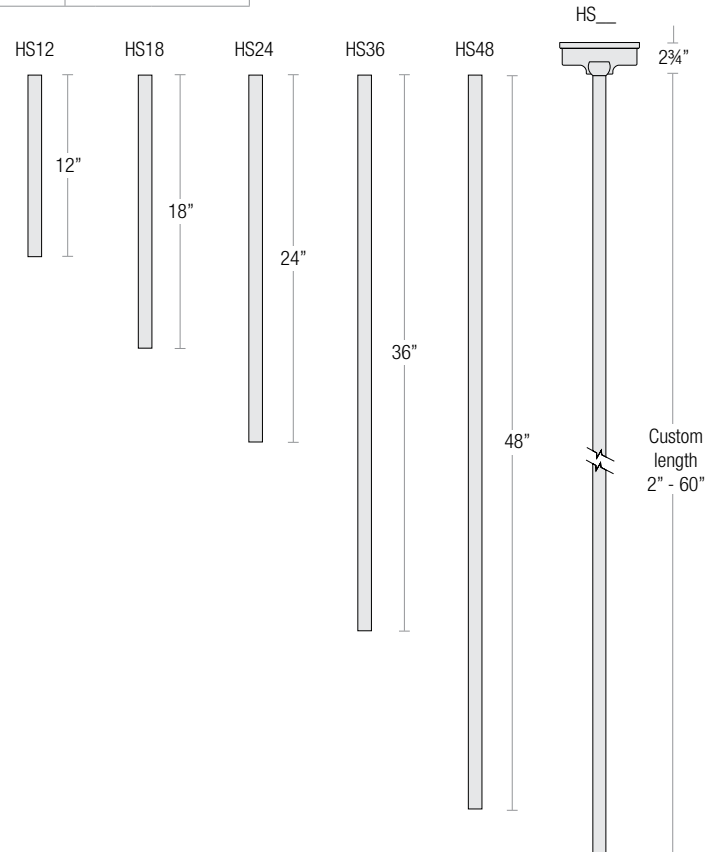
### PENDANT CANOPY



### CEILING FLUSH MOUNT CANOPY



Note: Ceiling flush mount canopy includes 2" stem



### STANDARD FINISHES

- |                       |                                |                              |                         |                    |
|-----------------------|--------------------------------|------------------------------|-------------------------|--------------------|
| ABL (Aegean Blue)     | FLG (Flannel Gray)             | PNC (Painted Natural Copper) | SS (Satin Silver)       | WT (Gloss White)   |
| BB (Burnished Bronze) | LG (Lime Green)                | RD (Red)                     | TBZ (Textured Bronze)   | YEL (Yellow)       |
| BK (Gloss Black)      | MB (Matte Black)               | SGR (Sage Green)             | TGP (Textured Graphite) |                    |
| BLU (Blue)            | MBL (Midnight Blue)            | SGW (Semi Gloss White)       | TNG (Tangerine)         | SPECIALTY FINISHES |
| DVG (Dove Gray)       | PNA (Painted Natural Aluminum) | SND (Sand)                   | TTL (Tahitian Teal)     | GA (Galvanized)    |